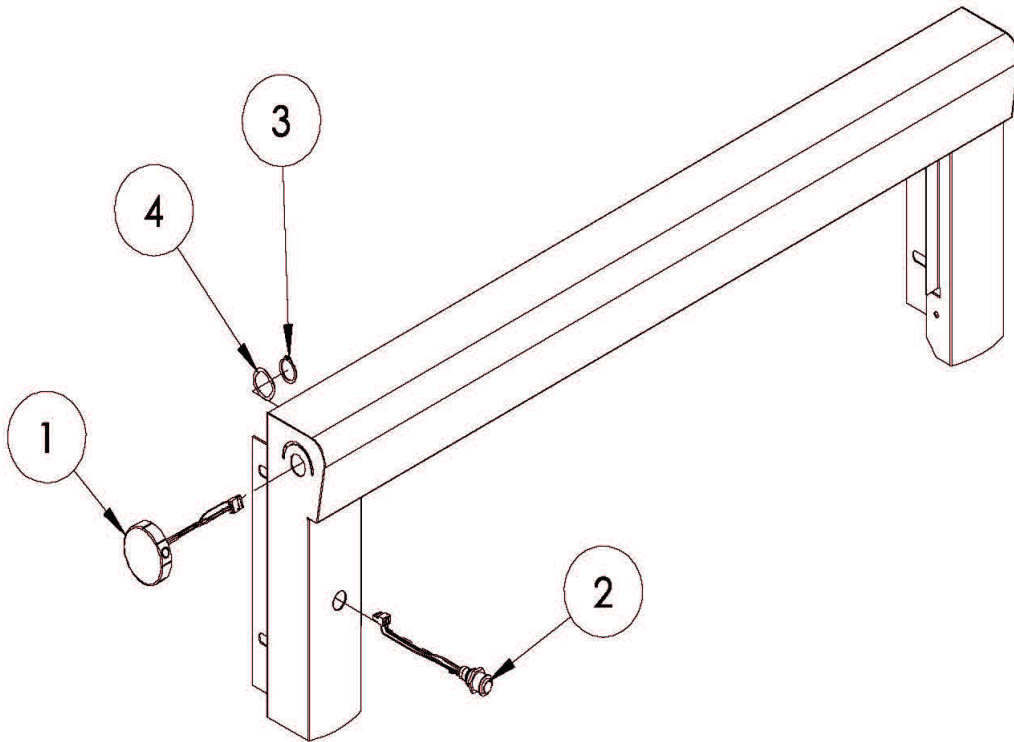


## SMART42F Bullnose Assembly

Click on any circled item, then add the part to your cart. If it won't click, the part is not available. If the part is not available, please call us at: 888.988.4546



<b>Item</b>	<b>Part No.</b>	<b>Name</b>	<b>Qty</b>	<b>Uom</b>	<b>NOTES</b>
1	80926	MICROPHONE DIAL ASSY	1	EA	
2	80953	SWITCH, PUSH-BUTTON, ASSY	1	EA	
3	35064	RTN RING, EXT, 3/8" SHAFT	1	EA	
4	35141	SPRING, WAVE, DISC,	1	EA	